

ALEX-14W DIE-CAST ALUMINUM BODY DOWNLIGHT

TECHNICAL SHEET
KL-SP00089



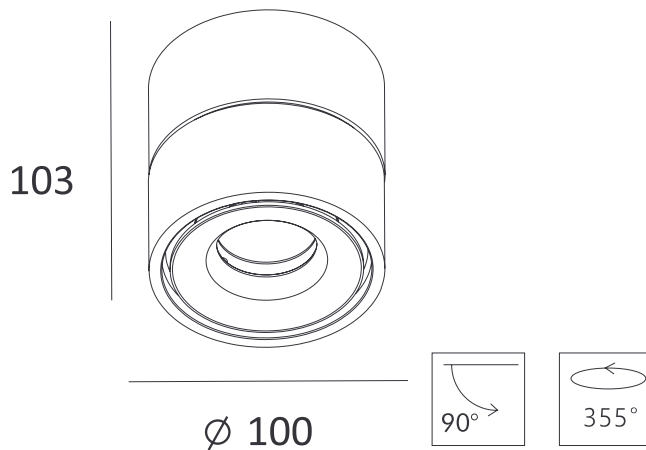
KEYLIGHT

SPAIN

PRODUCTOS DE ILUMINACION

FEATURES

- 220-240V
- CE ROHS Certified
- Die-cast Aluminum
- 3-years warranty



SPECIFICATIONS

Product Code	KL-SP00089
Power	14W
Input	220-240V
Color Temperature	3000K/4000K/6000K
LED Chip	CREE
Driver	PHILIPS
Luminous Flux	870 lm
Beam Angle	20°/40°/60°
CRI	80/90
Material	DIE-Cast-Aluminum
Body Color	Black/White
Installation	Track Light
IP Rating	IP 20
Dimensions	Ø100mm*103mm
Rotation	90°&355°
Warranty	3 years